



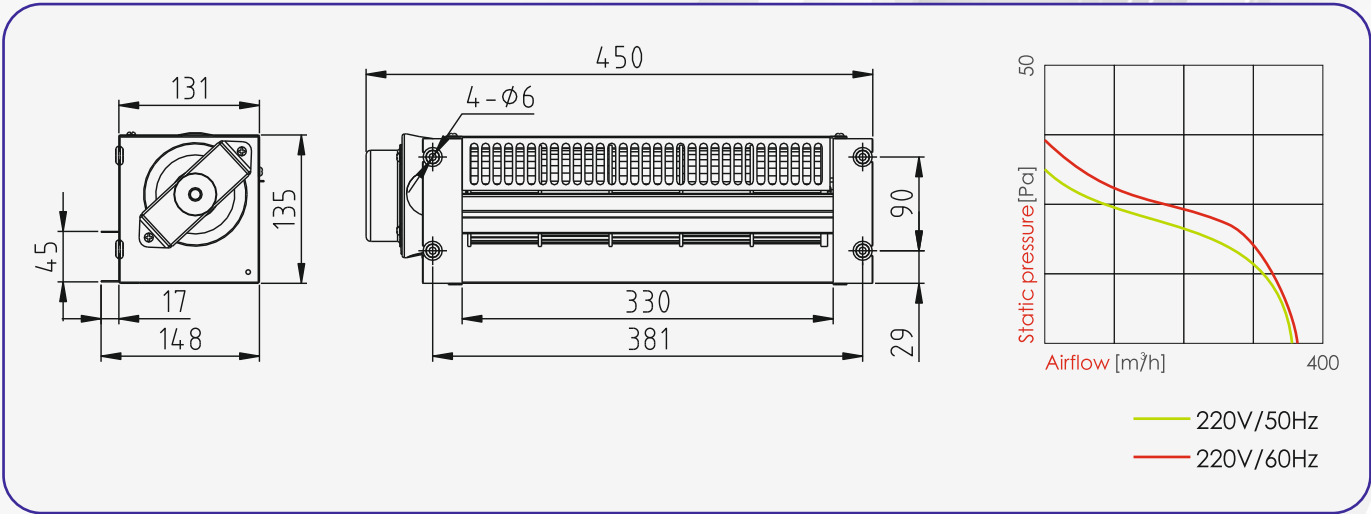
54, Annapurna Industrial Estate, Tilak Road,
Ghatkopar (E), Mumbai - 400 077 India
Tel: +91-22-21029911
E-mail: sales@excellaelectronics.com



BLOWER

E-330

Item	Specification
Size	450 X 148 X 135mm
Motor	Capacitor Induction
Bearing	Ball
Impeller	Reinforced Plastic
Frame	Steel
Weight	2.7Kg
Operation Temp	-20°C ~60°C
Life	30000H



TECHNICAL DETAILS:

MODEL	ZQF - 330
Voltage VAC	230
Freq. (Hz)	50/60
Current (A)	0.10/0.13
Power (W)	23/28
Speed (RPM)	1300/1350
AIRFLOW (M³/H)	350/360
NOISE (dB)	47